



# Rental LED Display

## DR Series

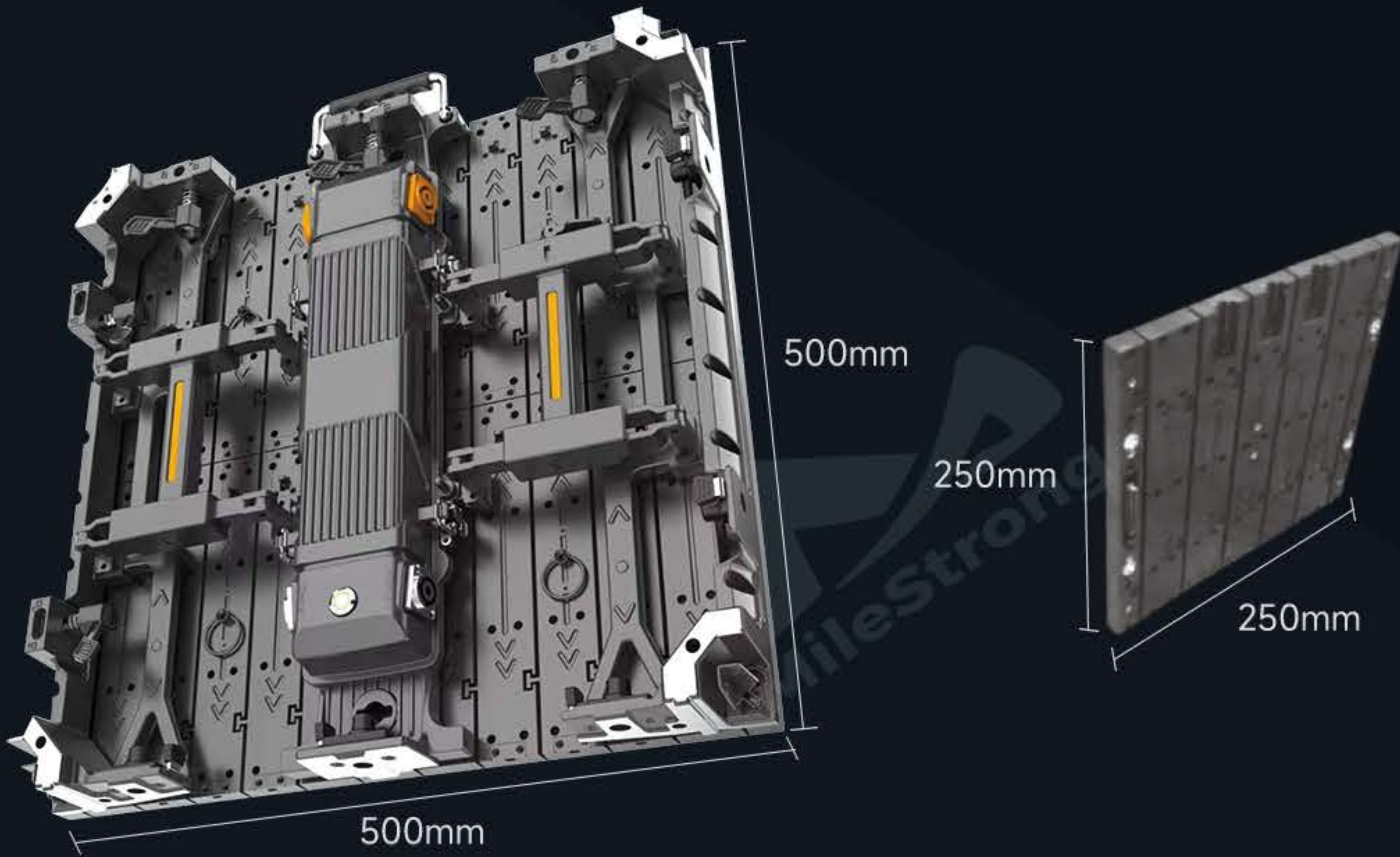
**Pixel Pitch (mm) :**

**1.5 / 1.953 / 2.604 / 2.976 / 3.91 (Indoor)    2.604 / 2.976 / 3.91 (Outdoor)**

**Cabinet Size (mm) : 500\*500**

## Die-Cast Aluminum Enclosure

Crafted with die-cast aluminum, the DR Series offers strong toughness, high precision, and excellent resistance to deformation, ensuring durability and stability for rental use.



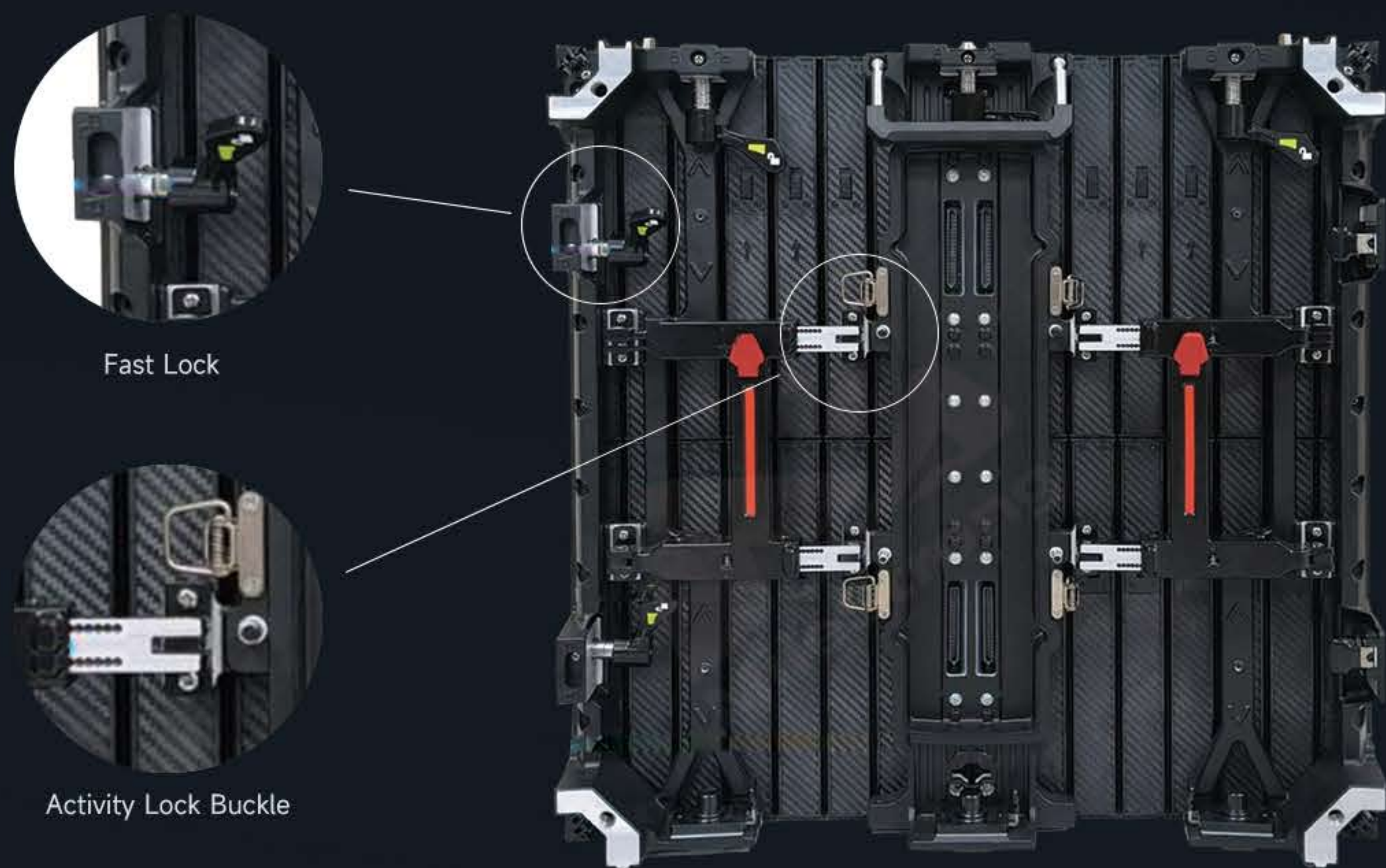
## Flexible Cabinet Design

Each single cabinet supports arc adjustment from 0°-22.5° and can form inside and outside arcs, including S-shapes and U-shapes, for creative stage designs.



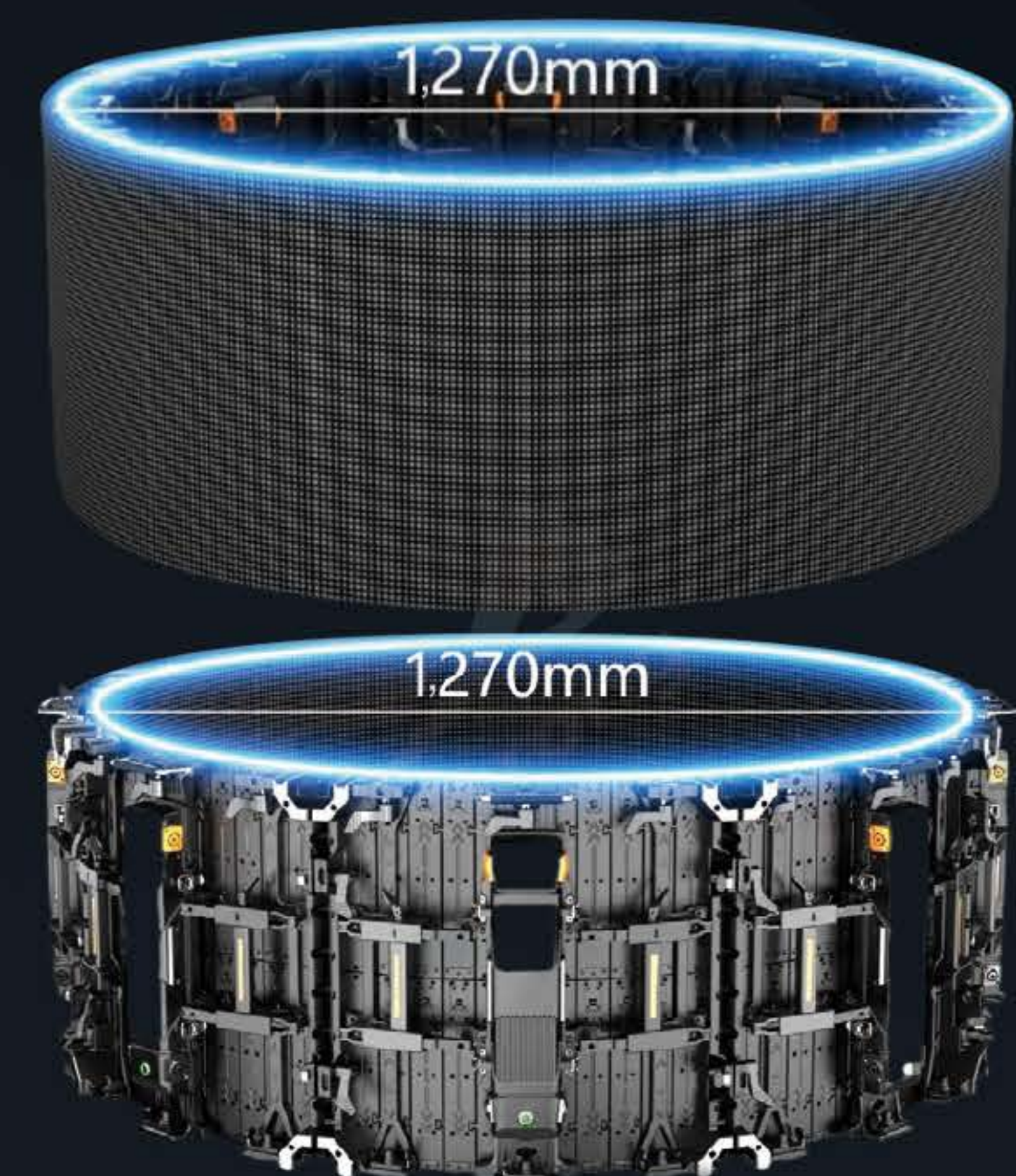
## Fast & Easy Installation

Integrated power supply, receiving card, and rear cover with quick locks allow the DR Series to be set up or dismantled in minutes, saving time and labor.



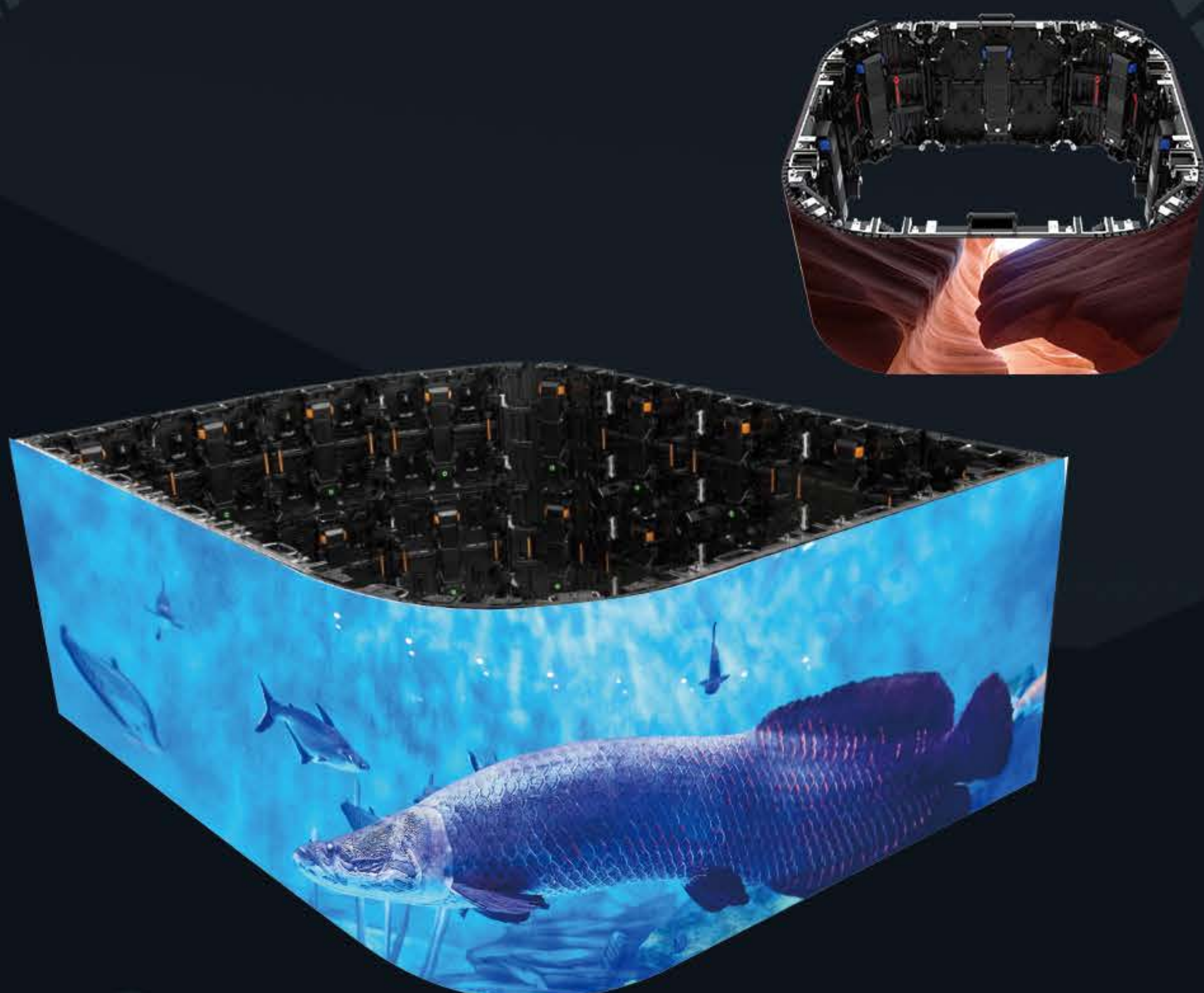
## Circular Splicing

The flexible cabinets allow arc adjustment from 0°-45°. Just 8 cabinets can be combined into a complete circle with a minimum diameter of 1.27m.



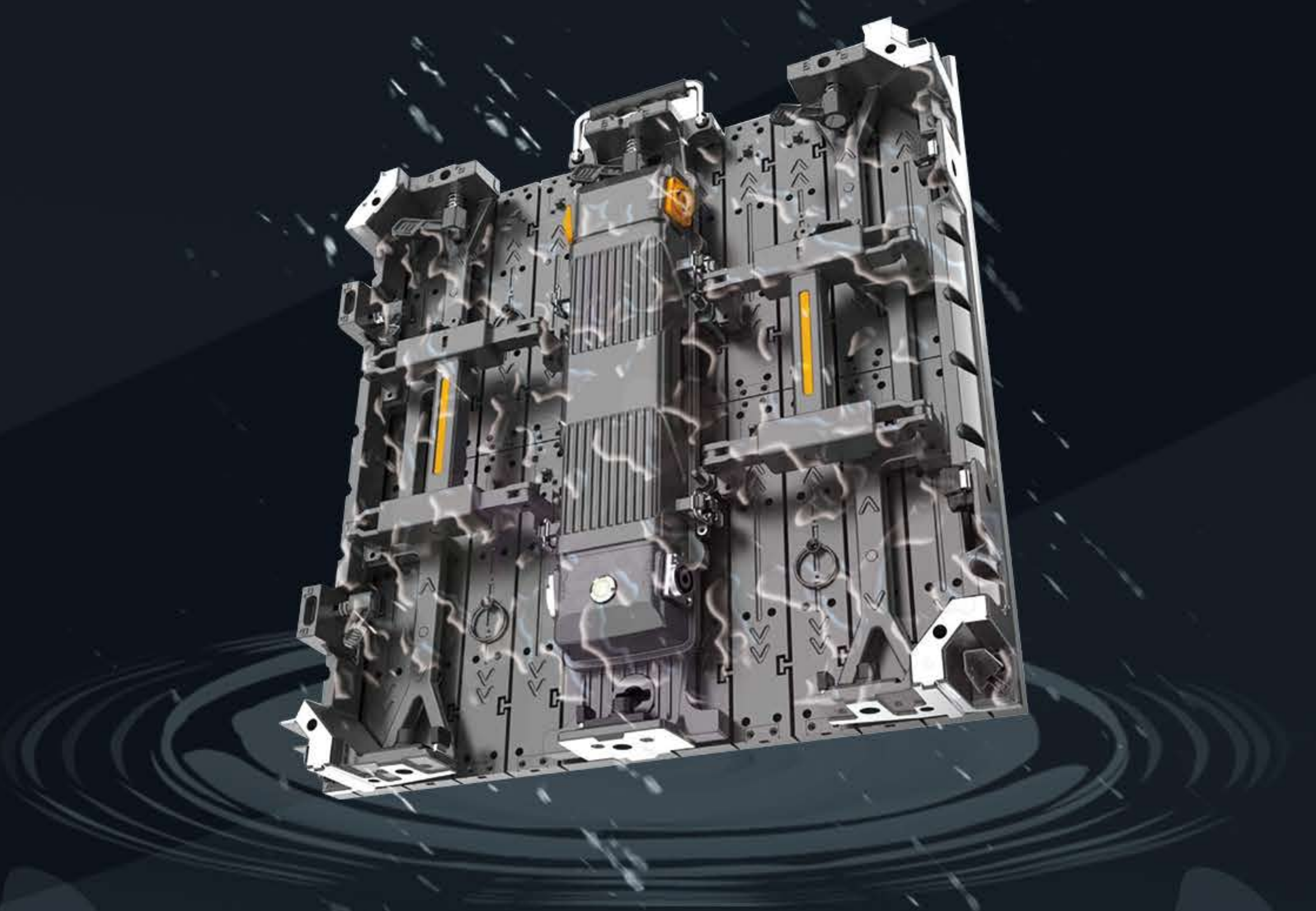
## Seamless Combination

Flexible LED cabinets can be seamlessly combined with conventional cabinets, providing more design possibilities and creative freedom.



## IP65 Waterproof

The outdoor version of the DR Series is designed with IP65 waterproof protection on both the front and rear, ensuring reliable performance in all weather conditions.



## Superior Visual Performance

With a refresh rate up to 7,680Hz and high grayscale, the DR Series delivers smooth, vivid, and stable visuals even under high-speed camera shooting.



Low Refresh Rate



High Refresh Rate



Low Grayscale



High Grayscale

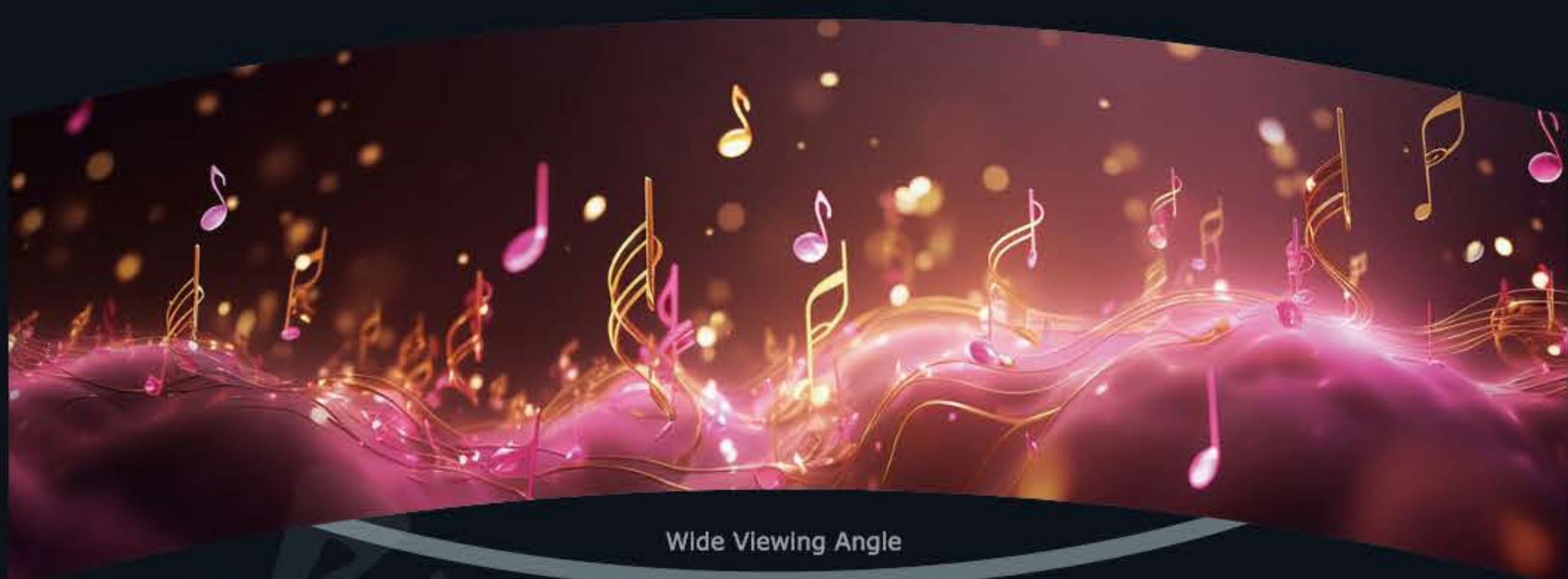
## Color Enhancement Technology

Advanced color enhancement ensures accurate and vivid color reproduction, presenting more lifelike and engaging visuals.



## Wide Viewing Angle

A wide viewing angle ensures that the content is clearly visible from multiple directions, enhancing audience engagement.



Wide Viewing Angle

## Application Scenarios

Perfect for stages, events, music festivals, award ceremonies, large conferences, and other live performances where stunning visuals matter.



## Parameters

Items	DR15	DR19	DR26	DR29	DR39
Pixel Pitch (mm)	1.5	1.953	2.604	2.976	3.91
LED Type	SMD1212	SMD1515	Indoor: SMD1515 Outdoor: SMD1415	Indoor: SMD2020 Outdoor: SMD1415	Indoor: SMD2020 Outdoor: SMD1921
Pixel Density (pixels/m <sup>2</sup> )	409,600	262,144	147,456	112,896	65,536
Module Resolution (W×H)	160×160	128×128	96×96	84×84	64×64
Module Size (W×H)	250×250				
Cabinet Size (mm)	500×500				
Module Arrangement (W×H)	2×2				
Cabinet Resolution (W×H)	320×320	256×256	192×192	168×168	128×128
Cabinet Weight (kg)	7.2	7	Indoor: 6.8 Outdoor: 7	Indoor: 6.6 Outdoor: 12	Indoor: 6.5 Outdoor: 20
Maintenance	Rear				
Cabinet Material	Die-cast aluminum				
Brightness (nits)	500-600	500-600	Indoor: 600-700 Outdoor: 4,000-4,500	Indoor: 600-700 Outdoor: 4,000-4,300	Indoor: 700-800 Outdoor: 4,000-4,500
Color Temperature (K)	8,000-10,000				
Viewing Angle (H/V)	Indoor: 120°, Outdoor: 110°				
Contrast Ratio	600:1	600:1	Indoor: 700:1 Outdoor: 5,000:1	Indoor: 700:1 Outdoor: 5,000:1	Indoor: 800:1 Outdoor: 5,000:1
Frame Rate (Hz)	50Hz				
Scan Mode	1/40	1/32	Indoor: 1/32 Outdoor: 1/24	Indoor: 1/28 Outdoor: 1/21	Indoor: 1/16 Outdoor: 1/16
Grayscale (bit)	Indoor: 13-16, Outdoor: 14-16				
Refresh Rate (Hz)	3,840	3,840-7,680			
Peak Power Consumption (W/m <sup>2</sup> )	Indoor: 400, Outdoor: 650				
Average Power Consumption (W/m <sup>2</sup> )	Indoor: 100, Outdoor: 150				
Protection Level	Indoor: IP60, Outdoor: IP65				
Input Voltage	AC100V-AC240V				
Operating Environment	-40 °C ~ 80 °C				

\* The specifications are for reference only. Actual parameters may vary depending on the specific model or contractual agreement.



*Bring your ideas into reality*

### **MileStrong Headquarters & Showroom**

4/F, Building B15, Phase II, Xincheng Chuangzhi Industrial Park, No. 456 Heping Road, Furong District, Changsha, Hunan, China

### **Shenzhen MileStrong Conventional Display Division**

Building 4, Yinjin Technology Industrial Park, Fengjing South Road, Hewan Community, Matian Subdistrict, Guangming District, Shenzhen, Guangdong, China

### **Shenzhen MileStrong XR/Immersive Display Division**

3/F, Building 5, Xinlianhe Industrial Park, Bao'an District, Shenzhen, Guangdong, China

### **Shenzhen MileStrong Transparent Display Division**

3/F, Tianyou Building, Yuekang Road, Bao'an District, Shenzhen, Guangdong, China

---

**Shenzhen Milestrong Technology Co., Ltd.**



Website



WhatsApp



WeChat



TikTok



YouTube