



Rental LED Display

FR Series

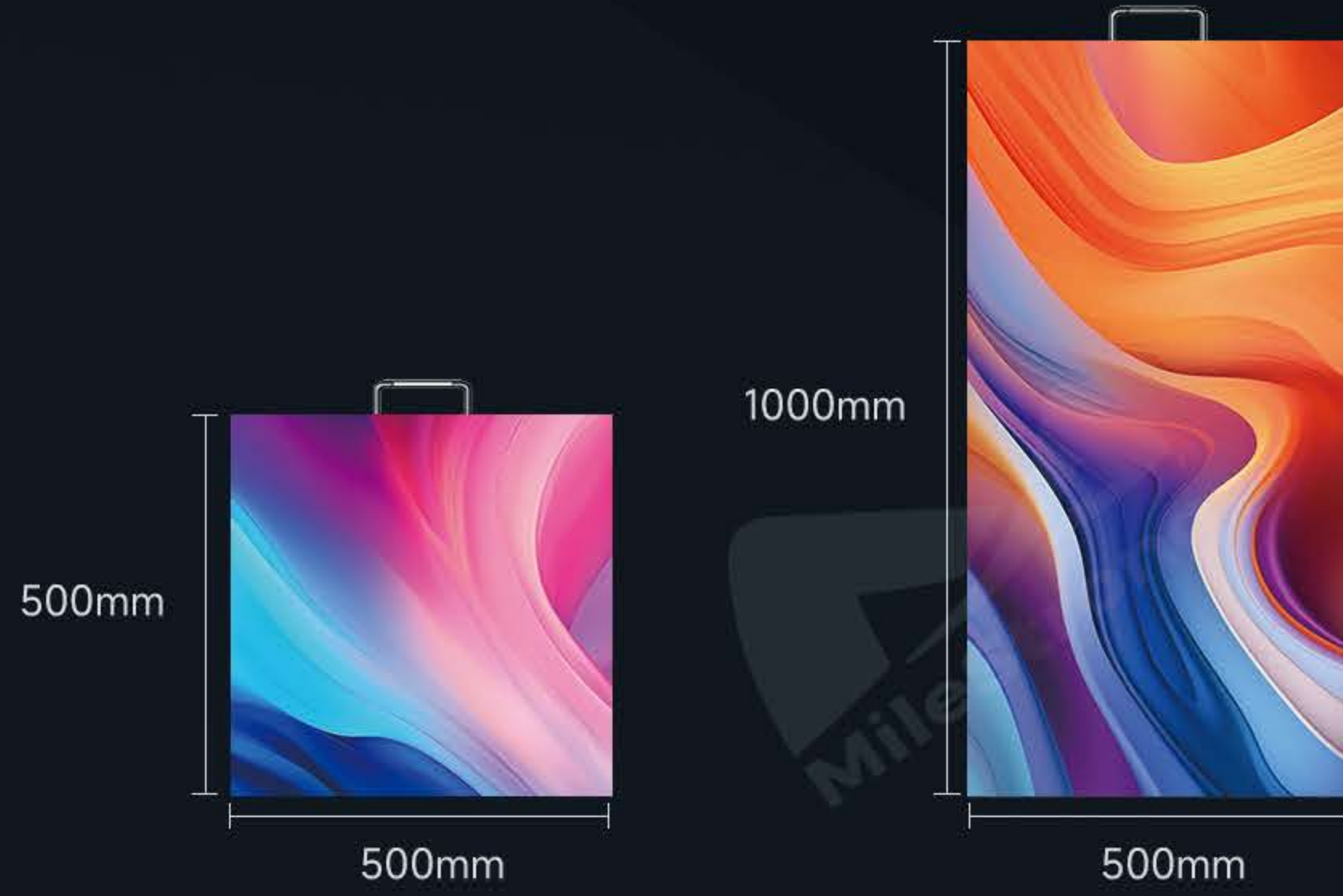
Pixel Pitch (mm) :

1.56 / 1.9 / 2.6 / 2.9 / 3.9 (Indoor) 2.6 / 2.9 / 3.9 (Outdoor)

Cabinet Size (mm) : 500×500 / 500×1,000

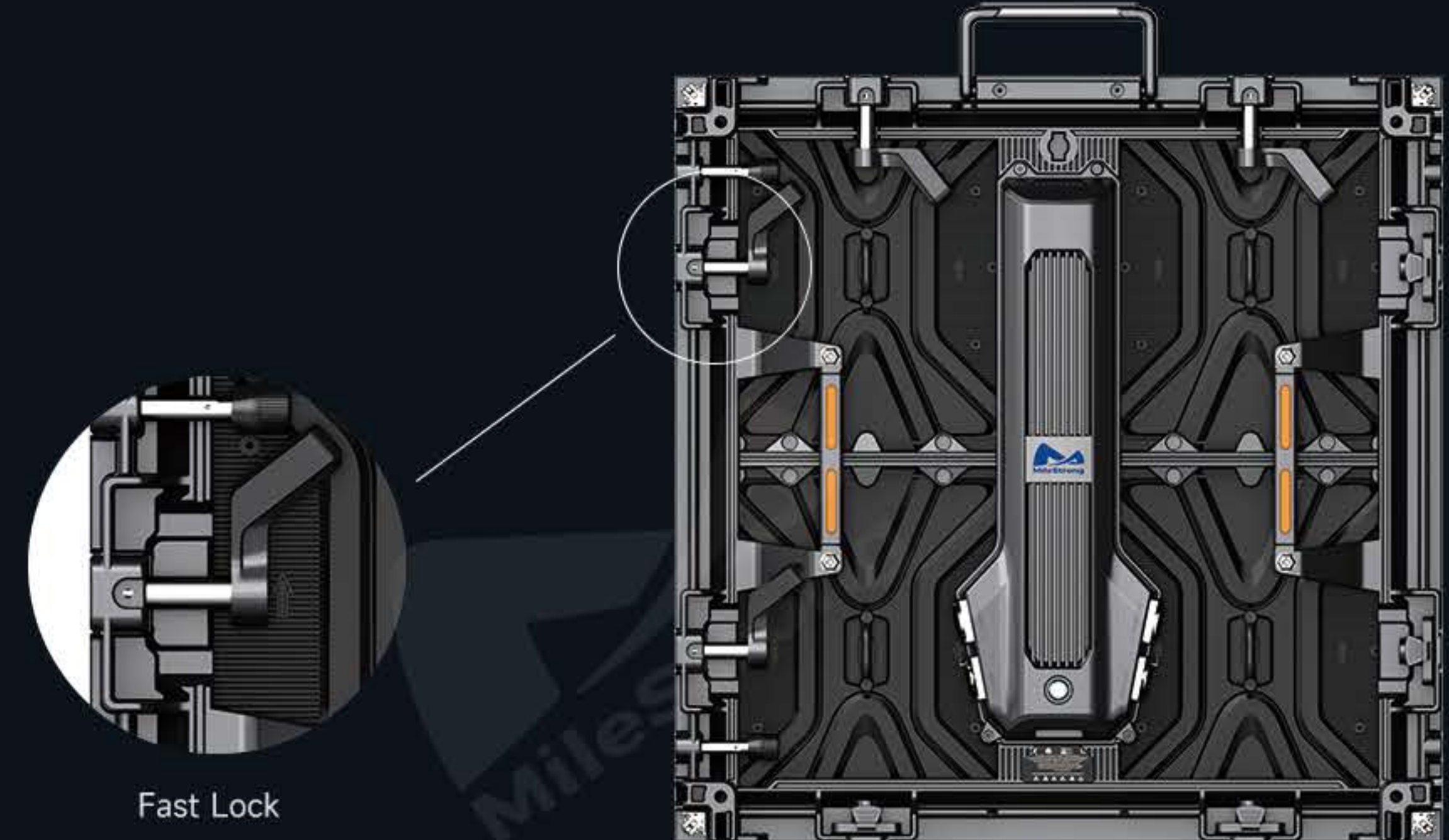
Modular Design

Featuring a 250×250mm module size with cabinet options of 500×500mm and 500×1,000mm, the FR Series is built for stability and durability, ensuring reliable performance at every event.



Quick Installation

Equipped with a fast lock system, the FR Series allows for effortless setup and dismantling, saving valuable time during rental operations.



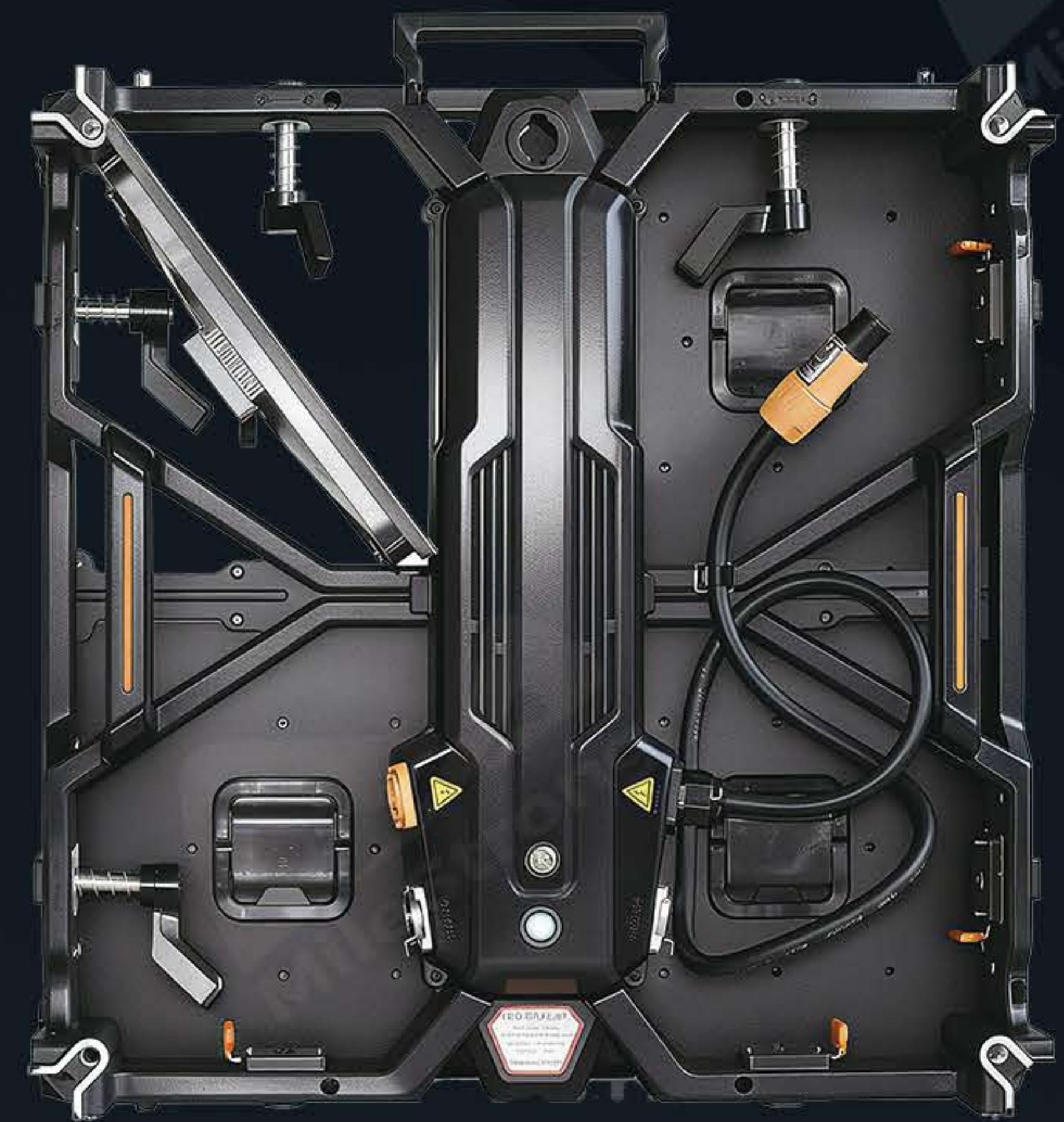
Curved Flexibility

Supports curvature from -7.5° to $+10^\circ$ with 2.5° increments per unit, enabling creative curved screen configurations to suit different stage designs.



Easy Maintenance

Designed with convenient access for both front and rear maintenance, ensuring efficient service and minimal downtime.



Weatherproof Performance

With an IP65 rating for outdoor models, the FR Series guarantees consistent display performance in all weather conditions.



Vivid Display Quality

Delivers high refresh rate, high grayscale levels, and a wide viewing angle, presenting vibrant, clear visuals from every direction.



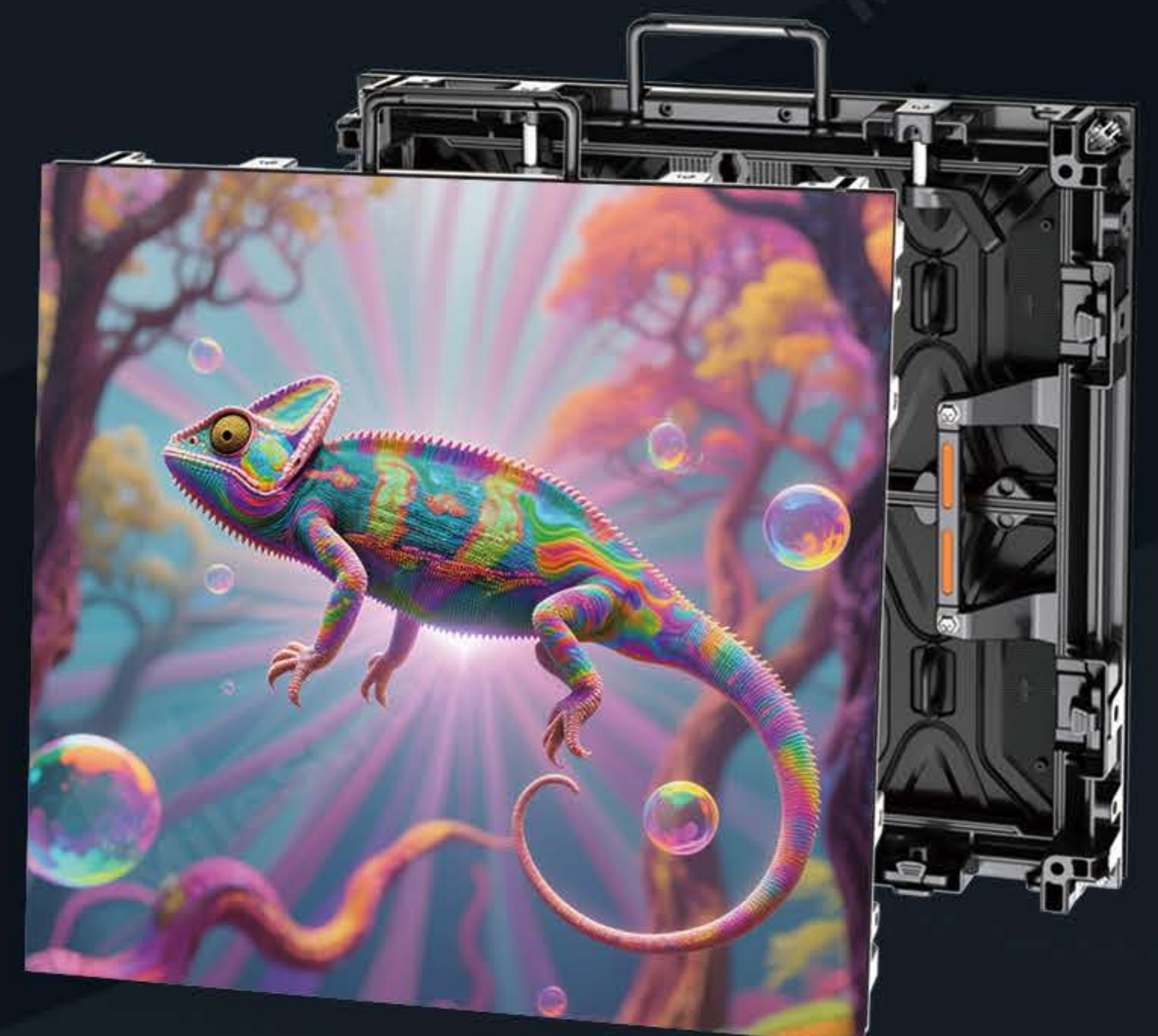
High Refresh Rate



High Grayscale



Wide Viewing Angel



Seamless Compatibility

500×500mm and 500×1,000mm cabinets can be seamlessly combined, offering maximum flexibility for various installation requirements.



Application Scenarios

Ideal for concerts, exhibitions, award ceremonies, opening events, sports venues, and other rental staging applications where stunning visuals are essential.



Parameters

Items	FR15	FR19	FR26	FR29	FR39
Pixel Pitch (mm)	1.56	1.9	2.6	2.9	3.9
LED Type	SMD1212	SMD1515	Indoor: SMD1515 Outdoor: SMD1415	Indoor: SMD2020 Outdoor: SMD1415	Indoor: SMD2020 Outdoor: SMD1921
Pixel Density (pixels/m ²)	409,600	262,144	147,456	112,896	65,536
Module Resolution (W×H)	160×160	128×128	96×96	84×84	64×64
Module Size (W×H)	250×250				
Cabinet Size (mm)	500×500 / 500×1,000				
Module Arrangement (W×H)	2×2 / 2×4				
Cabinet Resolution (W×H)	320×320 / 320×640	256×256 / 256×512	192×192 / 192×384	168×168 / 168×336	128×128 / 128×256
Maintenance	Indoor: Rear ; Outdoor: Front & Rear				
Cabinet Material	Die-cast aluminum				
Brightness (nits)	Indoor: ≥600 ; Outdoor: ≥4,000				
Color Temperature (K)	6,500-8,500				
Viewing Angle (H/V)	≤140°/140°				
Contrast Ratio	Indoor: ≥5,000:1 ; Outdoor: ≥4,000:1				
Frame Rate (Hz)	60				
Scan Mode	1/40	1/32	1/32	1/28	1/16
Grayscale (bit)	Indoor: ≥13 ; Outdoor: ≥12				
Refresh Rate (Hz)	≥3,840Hz				
Peak Power Consumption (W/m ²)	≤600				
Average Power Consumption (W/m ²)	240-360				
Protection Level	Indoor: IP30 ; Outdoor: Front IP65 & Rear IP63				
Input Voltage	AC110V-AC230V				

* The specifications are for reference only. Actual parameters may vary depending on the specific model or contractual agreement.



Bring your ideas into reality

MileStrong Headquarters & Showroom

4/F, Building B15, Phase II, Xincheng Chuangzhi Industrial Park, No. 456 Heping Road, Furong District, Changsha, Hunan, China

Shenzhen MileStrong Conventional Display Division

Building 4, Yinjin Technology Industrial Park, Fengjing South Road, Hewan Community, Matian Subdistrict, Guangming District, Shenzhen, Guangdong, China

Shenzhen MileStrong XR/Immersive Display Division

3/F, Building 5, Xinlianhe Industrial Park, Bao'an District, Shenzhen, Guangdong, China

Shenzhen MileStrong Transparent Display Division

3/F, Tianyou Building, Yuekang Road, Bao'an District, Shenzhen, Guangdong, China

Shenzhen Milestrong Technology Co., Ltd.



Website



WhatsApp



WeChat



TikTok



YouTube